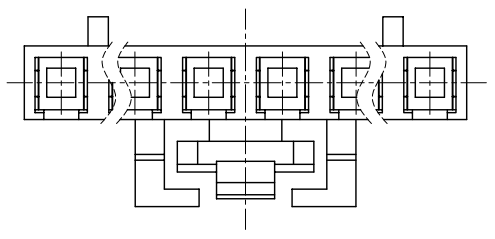
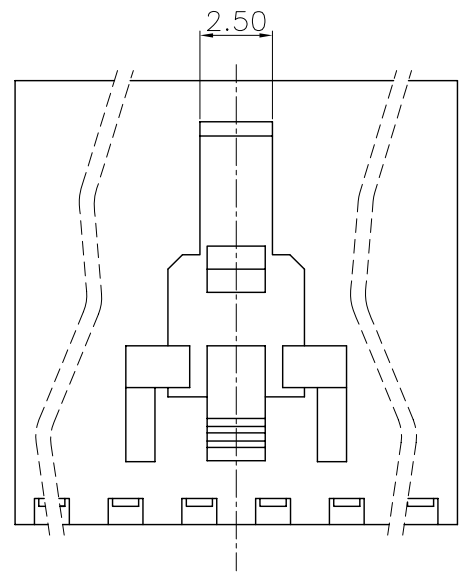
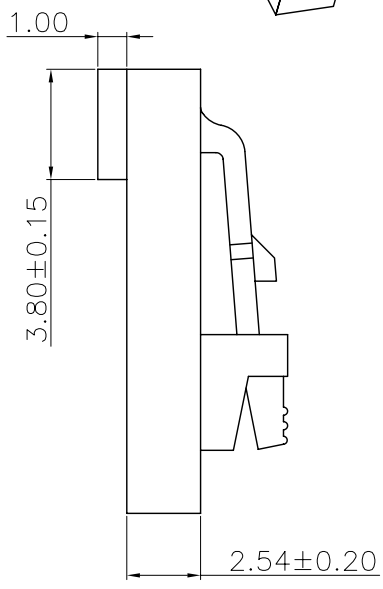
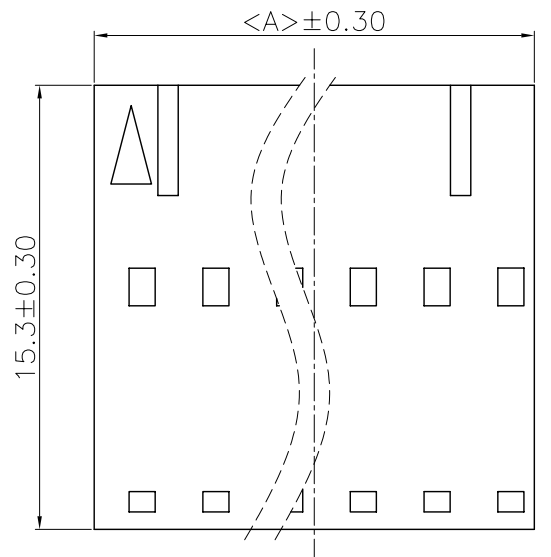
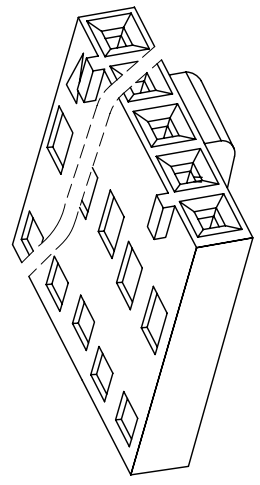
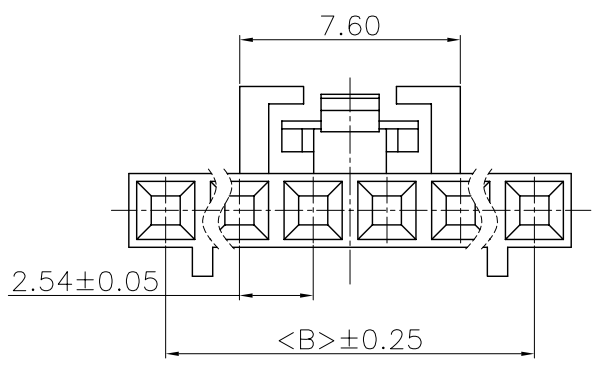


REV.	ECN NO.	DESCRIPTION	DATE	DESIGN
A				

Specifications:
 Current rating:3A AC/DC.
 Voltage rating:250V AC/DC
 Temperature range:-40°C~+105°C.
 Contact resistance:20MΩ Max.
 Insulation resistance:1000MΩ Min.
 Withstanding voltage: 1500V AC/minute.
 Material:PA66.UL94V-0.



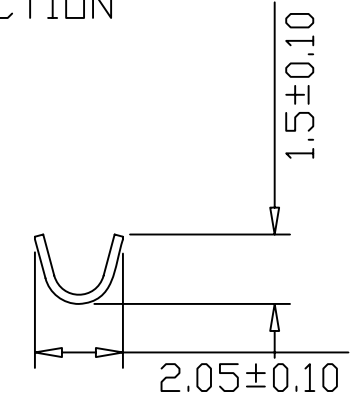
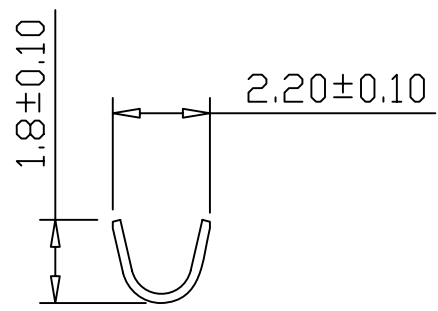
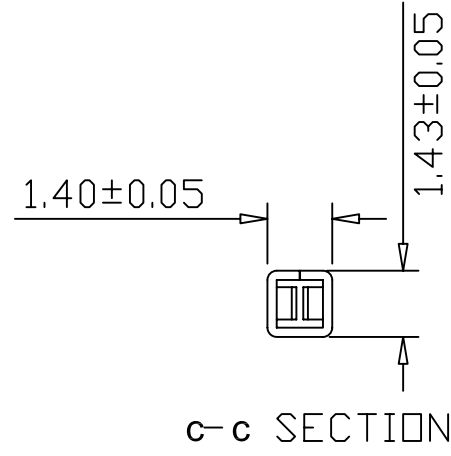
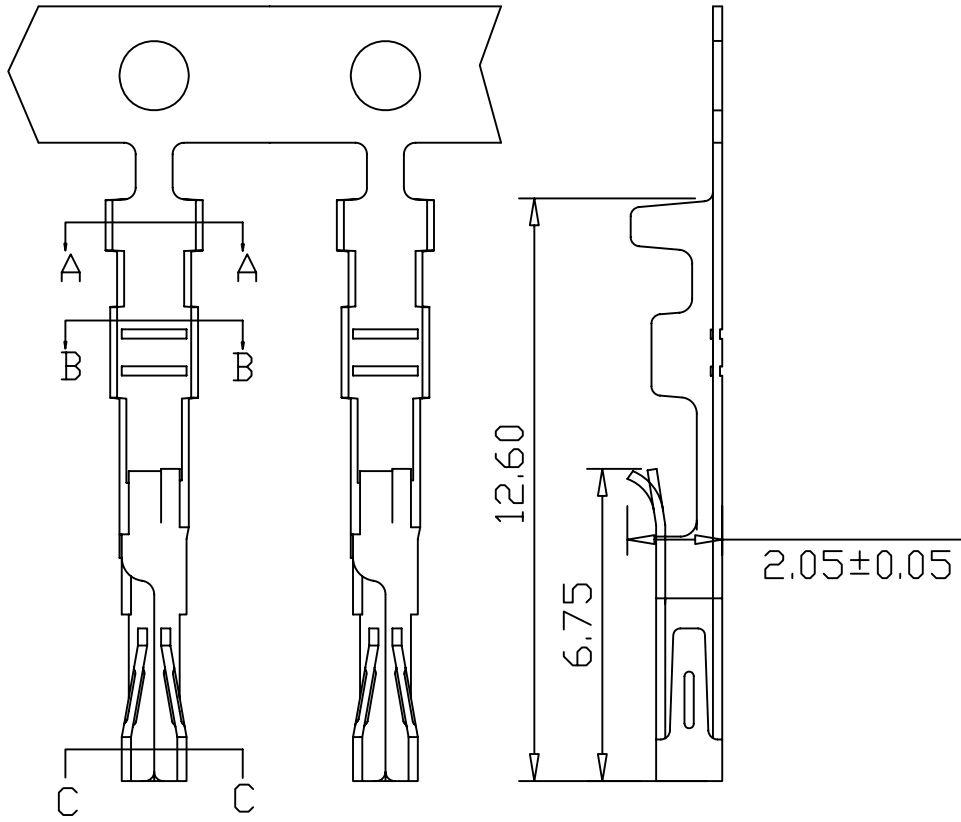
PART NO.	Dimension	
	<A>	
A2541H-02P	5.08	2.54
A2541H-03P	7.62	5.08
A2541H-04P	10.16	7.62
A2541H-05P	12.70	10.16
A2541H-06P	15.27	12.70
A2541H-07P	17.78	15.27
A2541H-08P	20.32	17.78
A2541H-09P	22.86	20.32
A2541H-10P	25.40	22.86
A2541H-11P	27.94	25.40
A2541H-12P	30.48	27.94
A2541H-13P	33.02	30.48
A2541H-14P	35.56	33.02
A2541H-15P	38.10	35.56
A2541H-16P	40.64	38.10
A2541H-17P	43.18	40.64
A2541H-18P	45.72	43.18
A2541H-19P	48.26	45.72
A2541H-20P	50.80	48.26

CNJM Joint More Precision electronics Co.,Ltd.

DRAW NO.	DATE	P/N NO:	DRAW NAME:
DESIGN: 陈雪峰	2017.06.03	A2541H-NP	2.54mm pitch housing
CHECK: 杨 焯		REV. A/1	SCALE 1:1
REVIEW:		UNIT: mm	SHEET: 1 OF 1

DIM	TOL	DIM	TOL
X.	/	X'	/
X.X	0.25	X.X'	
X.XX	0.15	X.XX'	
X.XXX	0.10	X.XXX'	/

REV.	ECN NO.	DESCRIPTION	DATE	DESIGN
A				



A-A SECTION

B-B SECTION

CNJM Joint More Precision electronics Co.,Ltd.

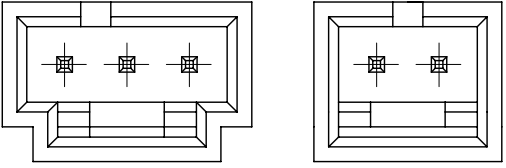
Part NO.	Wire range	Insulation O.D.	Materials	Finish	Qty/reel
A2541-TPE	AWG#26-30	1.64mm(max)	Phosphor Bronze	Tin-plated	10000PCS
A2541-HPE	AWG#26-30	1.63mm(max)	Phosphor Bronze	Gold-flash	10000PCS

DIM	TOL	DIM	TOL
X.	/	X°	/
X.X	0.25	X.X*	
X.XX	0.15	X.XX*	
X.XXX	0.10	X.XXX*	/

DRAW NO.	DATE	P/N NO.	DRAW NAME:
DESIGN: 陈雪峰	2017.06.03	A2541-XXX	2.54mm pitch terminal
CHECK: 杨焯			
REVIEW:		REV. A/1	SCALE 1:1

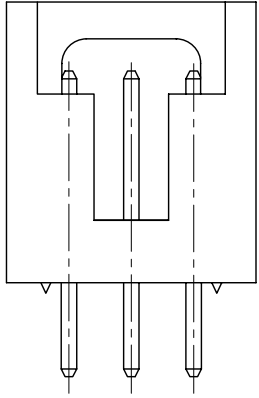
UNIT: mm SHEET: 1 OF 1

REV.	ECN NO.	DESCRIPTION	DATE	DESIGN
A				

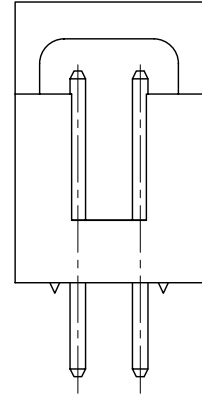


3 P

2 P

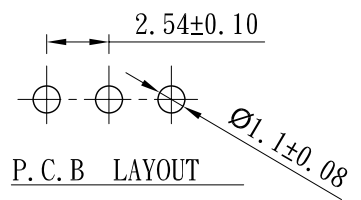
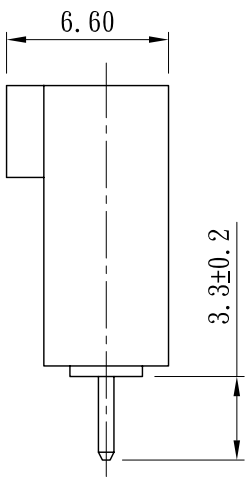
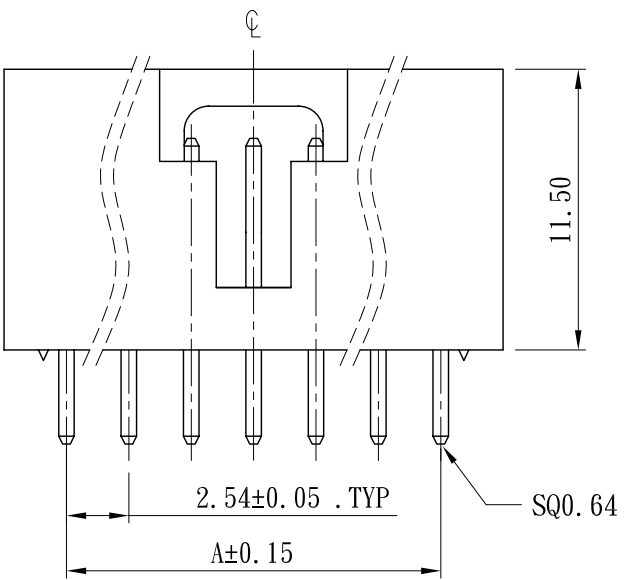
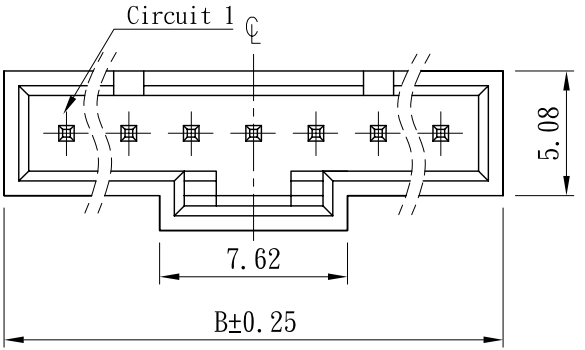


3 P



2 P

Specifications:
 Current rating:3A AC/DC.
 Voltage rating:250V AC/DC
 Temperature range:-40°C~+105°C.
 Contact resistance:20MΩ Max.
 Insulation resistance:1000MΩ Min.
 Withstanding voltage: 1500V AC/minute.
 Material:PA66.UL94V-0.



PART NO.	Dimensions	
	A	B
A2541WV-02P	2.54	7.62
A2541WV-03P	5.08	10.16
A2541WV-04P	7.62	12.70
A2541WV-05P	10.16	15.24
A2541WV-06P	12.70	17.78
A2541WV-07P	15.24	20.32
A2541WV-08P	17.78	22.86
A2541WV-09P	20.32	25.40
A2541WV-10P	22.86	27.94
A2541WV-11P	25.40	30.48
A2541WV-12P	27.94	33.02
A2541WV-13P	30.48	35.56
A2541WV-14P	33.02	38.10
A2541WV-15P	35.56	40.64

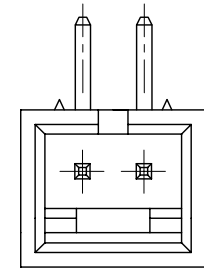
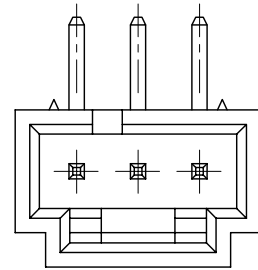
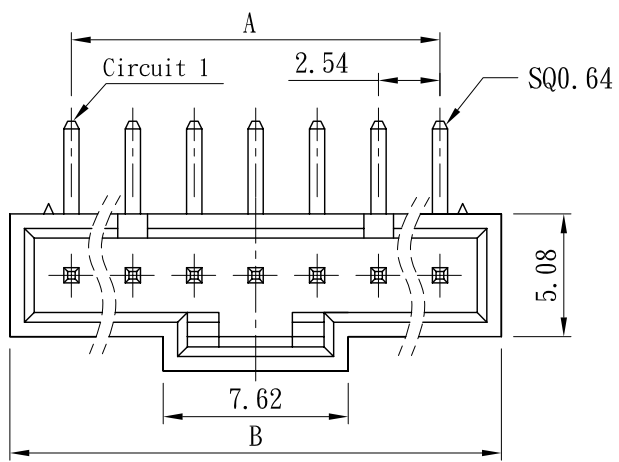
CNJM Joint More Precision electronics Co.,Ltd.

DRAW NO.	DATE	P/N NO:	DRAW NAME:
DESIGN: 陈雪峰	2017.06.03	A2541WV-NP	2.54mm pitch 180° wafer
CHECK: 杨焯			
REVIEW:		REV. A/1	SCALE 1:1
		UNIT: mm	SHEET: 1 OF 1

DIM	TOL	DIM	TOL
X.	/	X"	/
X.X	0.25	X.X"	
X.XX	0.15	X.XX"	
X.XXX	0.10	X.XXX"	/

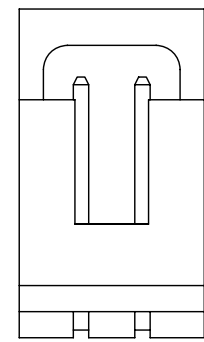
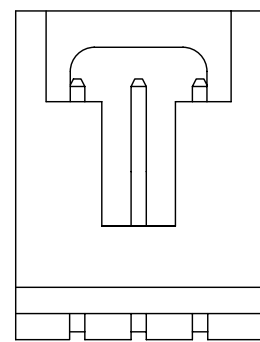
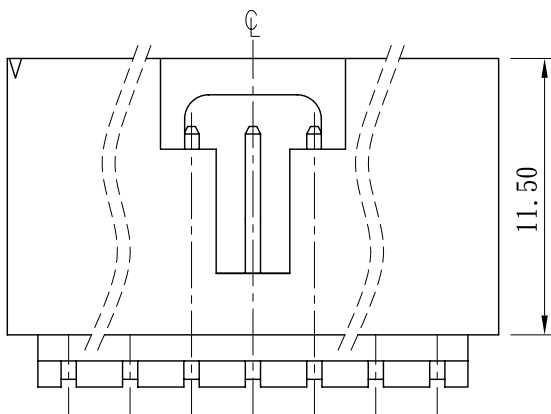
REV.	ECN NO.	DESCRIPTION	DATE	DESIGN
A				

Specifications:
 Current rating:3A AC/DC.
 Voltage rating:250V AC/DC
 Temperature range:-40°C~+105°C.
 Contact resistance:20MΩ Max.
 Insulation resistance:1000MΩ Min.
 Withstanding voltage: 1500V AC/minute.
 Material:PA66.UL94V-0.



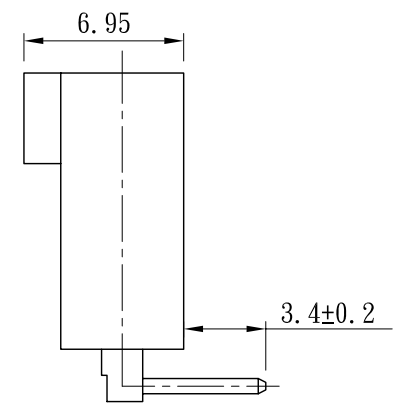
3 P

2 P

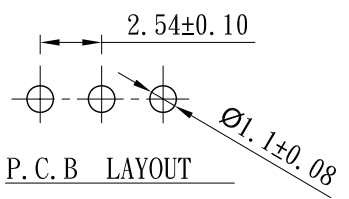


3 P

2 P



PART NO.	Dimensions	
	A	B
A2541WR-02P	2.54	7.62
A2541WR-03P	5.08	10.16
A2541WR-04P	7.62	12.70
A2541WR-05P	10.16	15.24
A2541WR-06P	12.70	17.78
A2541WR-07P	15.24	20.32
A2541WR-08P	17.78	22.86
A2541WR-09P	20.32	25.40
A2541WR-10P	22.86	27.94
A2541WR-11P	25.40	30.48
A2541WR-12P	27.94	33.02
A2541WR-13P	30.48	35.56
A2541WR-14P	33.02	38.10
A2541WR-15P	35.56	40.64



CNJM Joint More Precision electronics Co.,Ltd.

DRAW NO.	DESIGN: 陈雪峰	DATE: 2017.06.03	P/N NO: A2541WR-NP	DRAW NAME: 2.54mm pitch 90° wafer		
CHECK: 杨焯	REVIEW:		REV. A/1	SCALE 1:1	UNIT: mm	SHEET: 1 OF 1

DIM	TOL	DIM	TOL
X.	/	X'	/
X.X	0.25	X.X'	/
X.XX	0.15	X.XX'	/
X.XXX	0.10	X.XXX'	/